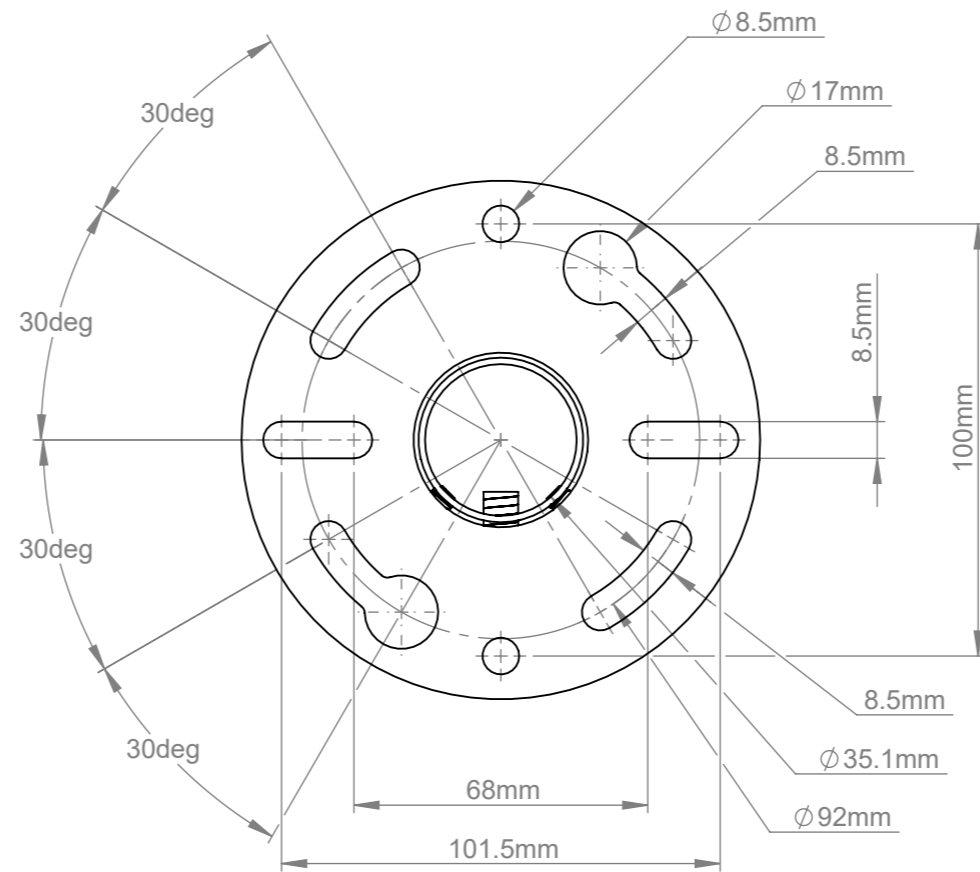
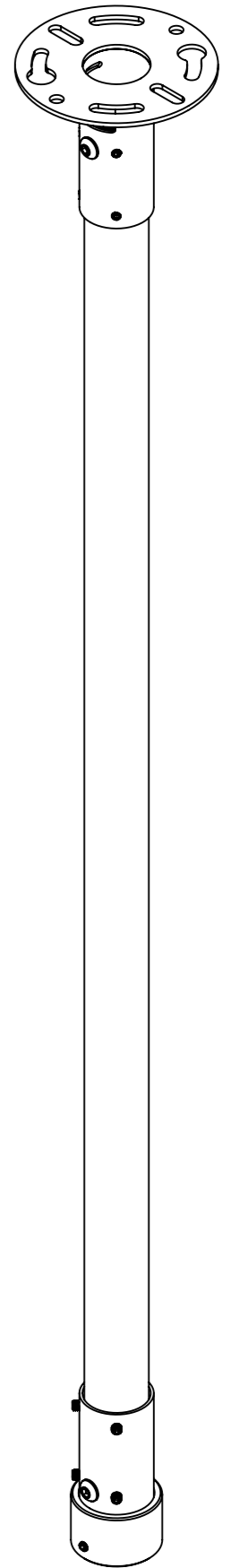


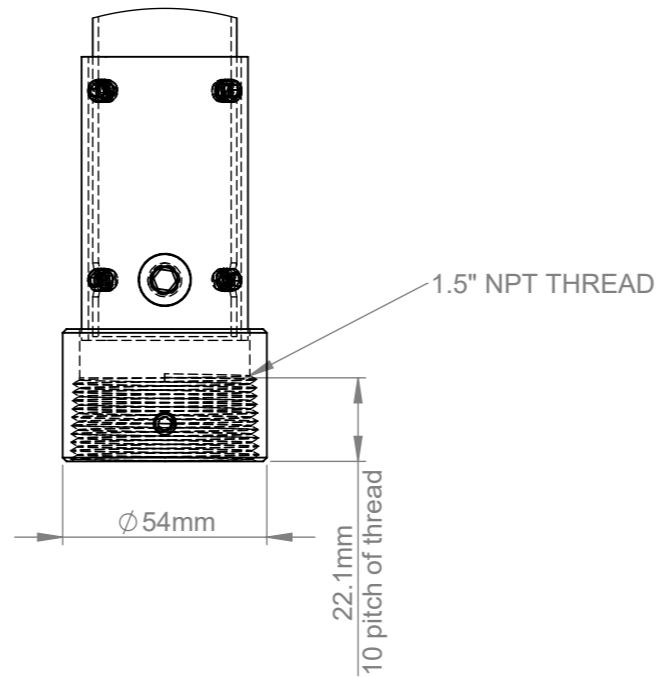
DETAIL A
SCALE 4 : 7



ISOMETRIC VIEW



DETAIL C
SCALE 1 : 2



B-Tech International Design & Manufacturing Limited
Part of the B-Tech International Group

B-Tech No: BT5965-FD100

Title: SYSTEM V - Ceiling Mount with Threaded NPT Adaptor - 1m Ø38mm Pole



UNLESS OTHERWISE SPECIFIED DIMENSIONS ARE IN MILLIMETERS

Size: A3

Revision: R01

Scale: 1:4

Date: 10/02/2021

Sheet: 1 of 1

File Name: BTD-BT5965-FD100